

PRODUCT INFORMATION PACKET

Model No: 056T34W99020
Catalog No: N651A
2,3600,TEFC,56C,3/60/230/460
General Purpose



Regal and Marathon are trademarks of Regal Beloit Corporation or one of its affiliated companies.
©2018 Regal Beloit Corporation, All Rights Reserved. MC017097E





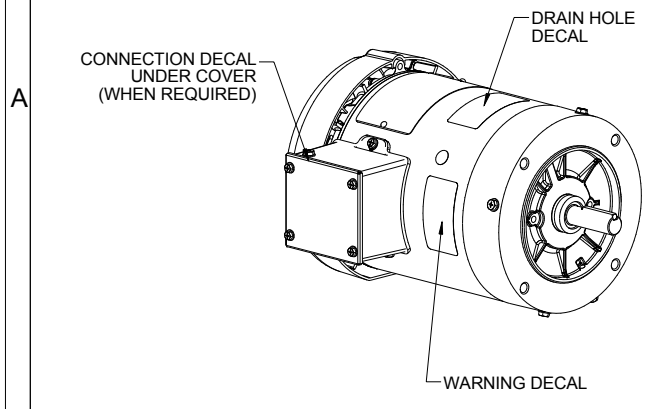
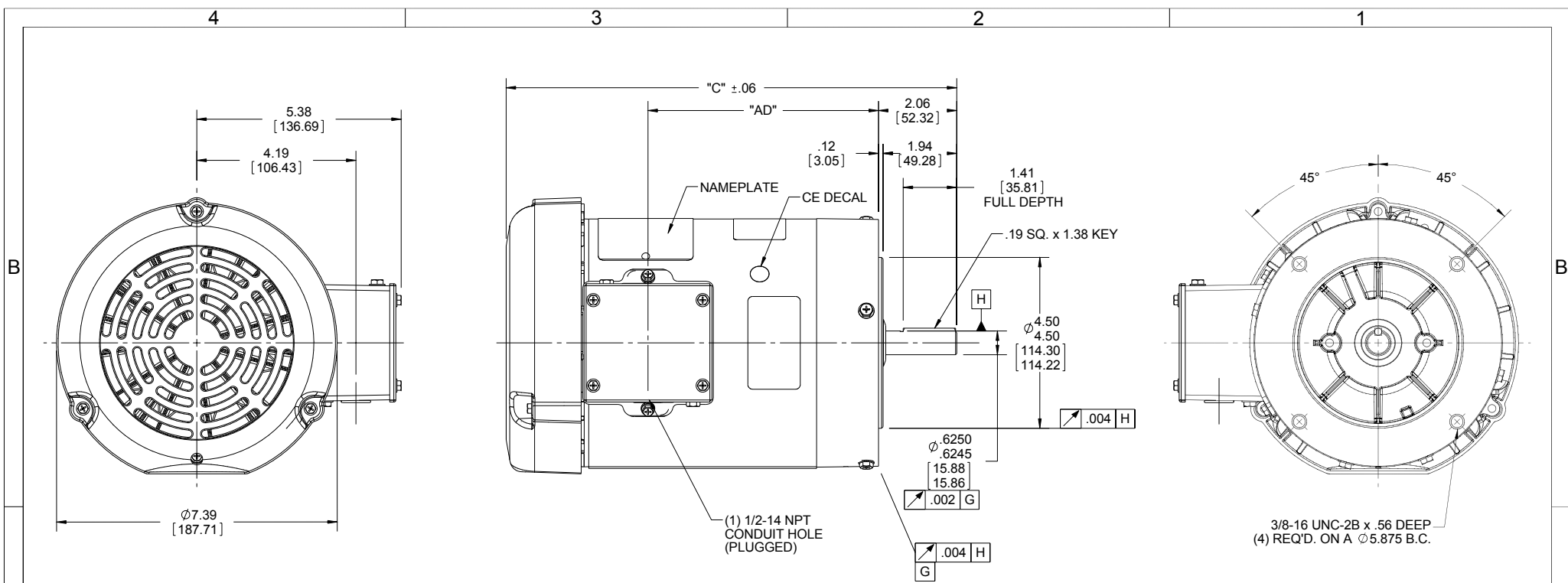
Nameplate Specifications

Output HP	2 Hp	Output KW	1.5 kW
Frequency	60 Hz	Voltage	230/460 V
Current	4.8/2.4 A	Speed	3490 rpm
Service Factor	1	Phase	3
Efficiency	85.5 %	Duty	Continuous
Insulation Class	F	Design Code	A
KVA Code	L	Frame	56C
Enclosure	Totally Enclosed Fan Cooled	Overload Protector	No
Ambient Temperature	40 °C	Drive End Bearing Size	6205
Opp Drive End Bearing Size	6203	UL	Recognized
CSA	N	CE	Y
IP Code	55		

Technical Specifications

Electrical Type	Squirrel Cage Induction Run	Starting Method	Across The Line
Poles	2	Rotation	Reversible
Mounting	Round	Motor Orientation	HORIZONTAL
Drive End Bearing	BALL	Opp Drive End Bearing	BALL
Frame Material	Rolled Steel	Shaft Type	NEMA 56
Overall Length	13.37 in	Frame Length	7.50 in
Shaft Diameter	0.625 in	Shaft Extension	2.06 in
Assembly/Box Mounting	F1 ONLY		
Outline Drawing	607-0006ME-750	Connection Diagram	005010.01

This is an uncontrolled document once printed or downloaded and is subject to change without notice. Date Created: 10/30/2018



DASH NO.	"C"	"AD"
450	10.37	4.56
500	10.87	5.06
550	11.37	5.56
600	11.87	6.06
650	12.37	6.56
675	12.62	6.81
700	12.87	7.06
750	13.37	7.56
800	13.87	8.06

WASHGUARD MOTOR

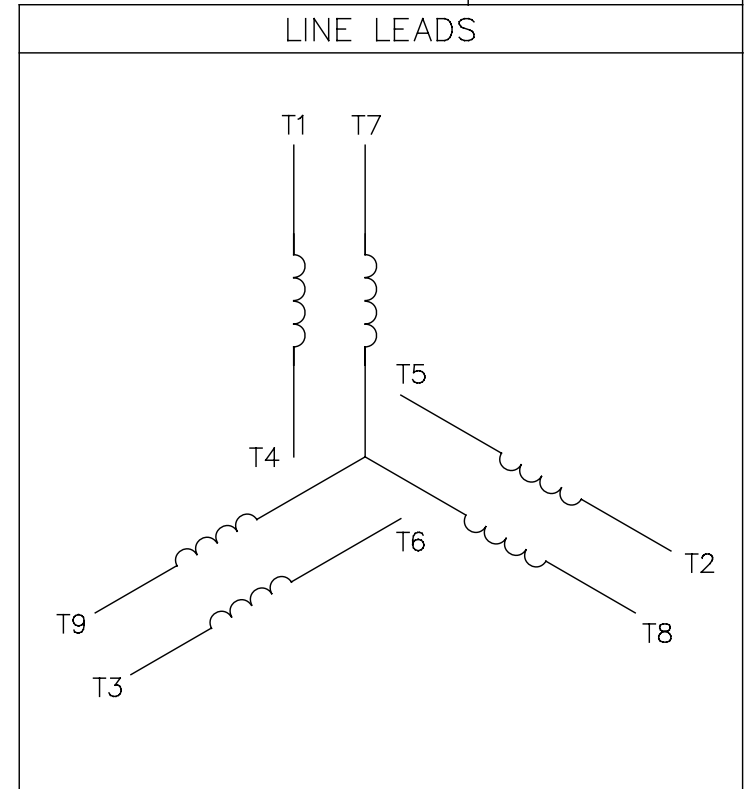
SPECIAL FEATURES:

1. SHAFT SEALS & V-RING.
2. PLUGGED DRAIN HOLES IN ENDBELLS & CONDUIT BOX.
3. BUNA-N GASKETS THROUGHOUT.
4. STAINLESS STEEL SHAFT, HARDWARE & NAMEPLATE.

DRAWING REVISION C	REVISION BY LK	DATE 11/30/2015	TOLERANCES UNLESS OTHERWISE SPECIFIED: DEC. INCH mm ANGLE X .01 [±0.25] ±0.5° .XX ±0.01 [±0.25] .XXX ±0.005 [±0.127] .XXXX ±0.0005 [±0.0127]	DRAWN BY PVR 12/24/12	Regal Beloit America, Inc.	
ECO-0089675	APPROVED BY GRB	DATE 11/30/2015	REMOVE BURRS & BREAK SHARP EDGES: .003/.015 [0.076/3.81] X 45° CORNER FILLETS: R.02 [51] MACHINED SURFACES: 125/3.2 INCH/mm 3.2	DATE		
ECO DESCRIPTION ADDED DASH #800 PER NMR-0093544 COPYRIGHT REGAL BELOIT AMERICA, INC. ALL RIGHTS RESERVED. PROPRIETARY AND CONFIDENTIAL INFORMATION - THIS DOCUMENT IS THE PROPERTY OF REGAL BELOIT AMERICA, INC. ("OWNER") AND CONTAINS OWNER'S PROPRIETARY INFORMATION. ANY PERSON, CORPORATION OR OTHER FIRM RECEIVING IT IS DEEMED, BY RECEIVING IT, TO AGREE THAT IT, AND/OR ANY PART OF IT, SHALL NOT BE DISCLOSED TO ANY PERSON, CORPORATION OR OTHER ENTITY, DUPLICATED, AND/OR USED, EXCEPT AS EXPRESSLY APPROVED IN WRITING IN ADVANCE BY OWNER. THIS DOCUMENT SHALL BE RETURNED TO OWNER UPON REQUEST. IT MAY BE SUBJECT TO CERTAIN RESTRICTIONS UNDER APPLICABLE EXPORT CONTROL LAWS AND REGULATIONS.			REFERENCE THIRD ANGLE PROJECTION	APPROVED BY DATE DESCRIPTION OUTLINE TEFC - "C" FACE	MATERIAL WASHGUARD	PROCESS/FINISH
			mm SHOWN IN [BRACKETS]	SIZE B	DRAWING NUMBER 607-0006ME	SHEET 1 OF 1

005010-01

VIEW FROM OUTSIDE OF MOTOR AT SWITCH END.



VOLTAGE	L1	L2	L3	JOIN & INSULATE
HIGH	T1	T2	T3	(T4,T7) (T5,T8) (T6,T9)
LOW	T1,T7	T2,T8	T3,T9	T4,T5,T6

				TOLERANCES UNLESS SPECIFIED		REGAL ™ Regal Beloit America, Inc.		DRAWN RDW 04/12/02			
				DEC.	INCHES			CHK			
				.X	±.1			APPD			
				.XX	±.01			SCALE 1=1			
				.XXX	±.005	TITLE		REF FIG.2-51			
A	UPDATED TO REGAL LOGO			SAJ	06/26/15	AJY	.XXXX	±.0005	MAT'L. DECAL - 004014	FMF	
NO.	REVISION			BY & DATE	CHK	ANG	±1/2"	FINISH	PREV		
THIS DRAWING IN DESIGN AND DETAIL IS OUR PROPERTY AND MUST NOT BE USED EXCEPT IN CONNECTION WITH OUR WORK ALL RIGHTS OF DESIGN AND INVENTION ARE RESERVED THIS IS AN ELECTRONICALLY GENERATED DOCUMENT - DO NOT SCALE THIS PRINT				RFP	04/12/02	CAD FILE	00501001		SIZE	DRAWING NO.	REV.
				DIST	BRF-NLV			A	005010-01	A	

Data Sheet

56134W99020



Submital

Data @ 460 V

Date: 9/17/2018

Customer:
 Attention:
 Submitted by: FAREEDA DUDEKULA

Motor Load Data

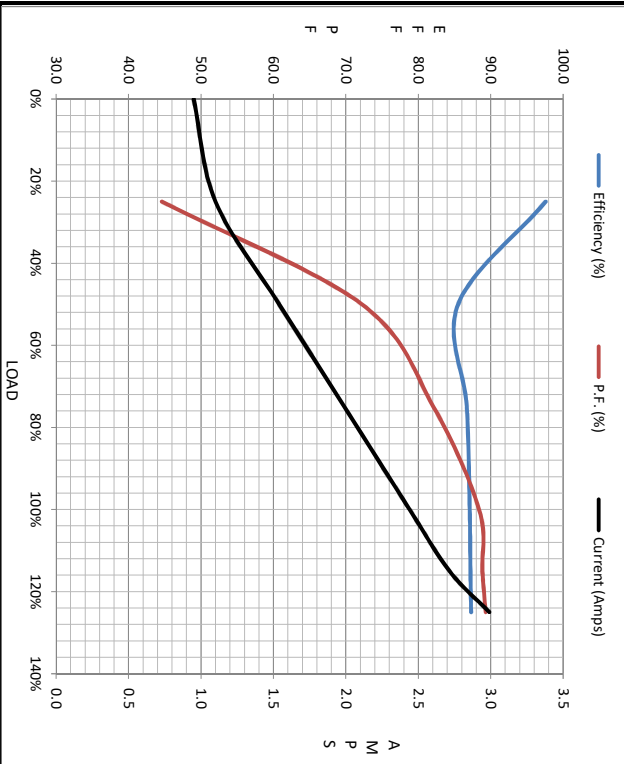
Load	0%	25%	50%	75%	100%	115%	125%	LR
Current (Amps)	0.95	1.10	1.54	1.99	2.44	2.72	2.99	26.0
Torque (ft-lb)	0.00	0.75	1.50	2.25	3.0	3.4	3.8	10.8
RPM	3600	3581	3555	3533	3511	3501	3487	0
Efficiency (%)		97.6	85.5	86.7	87.1	87.2	87.3	
P.F. (%)	16.8	44.6	72.2	82.1	88.4	88.9	89.3	0.0

Motor Speed Data

	LR	Pull-Up	BD	Rated	Idle
Speed (RPM)	0	200	2300	3511	3600
Current (Amps)	26.0	23.9	15.6	2.44	0.95
Torque (ft-lb)	10.8	10.5	13.0	3.0	0.00

Information Block

HP	2.0			
Sync. RPM	3600			
Frame	140182TFC6080			
Enclosure	TEFC			
Construction	TFR			
Voltage	230/460 V			
Frequency	60 Hz			
Design	A			
LR Code letter	L			
Service Factor	1.15			
Temp Rise @ FL	46 °C			
Duty	CONT			
Ambient	40 °C			
Elevation	1,000 feet			
Rotor/Shaft wk ²	0.08 Lb-Ft ²			
Ret Wdg	T632174 FR			
Sound Pressure @ 1M	0 dbA			
VFD Rating	NONE			
Outline Dwg	607-0006MFE-775			
Conn. Diag	005010.01			
Additional Specifications:				
0				
0				
R1	R2	X1	X2	Xm
0.0000	0.0000	0.0000	0.0000	0.0000



Speed - Torque Curve

